

MA 2Port Node

– networking on a higher level

The MA 2Port Nodes supplement MA Lighting's product range for networking and integrated system solutions.

Available as Flush-mounted or Rig-mounted versions they are perfect for DMX distribution in fixed installations but also address the needs of theatres and rental companies to easily distribute DMX on stage or in rigs. With the "MA 2Port Node onPC" the user gains a powerful tool that outputs one universe of DMX in combination with grandMA onPC (two universes as "MA 2Port Node onPC PRO").

Technical Specification – Art.-No. 130xxx

Software Specification

Protocols: DMX-512A, MA-Net, Art-Net, ACN-ready

Parameters: 2x 512

(assigned to any output of the MA-Net)

User Interface (Hardware)

4 different versions:

Flush-mount EU (80mm box)

Flush-mount US (two-gang-box)

onPC (incl. Power supply)

onPC PRO (incl. Power Supply)

Physical Input / Output

Network: 100 base TX, RJ45

EtherCon at onPC & onPC PRO -version

DMX-512A: 2x physical

OUT/OUT

IN/IN (on your choice)

IN/OUT

Dimensions Flush-mount EU

Size: 100 x 100 x 45 mm

(3.9 x 3.9 x 1.7 inches)

Weight: 0.2kg / 0.4lbs

Dimensions Flush-mount US

Size: 114 x 114 x 45 mm

(4.5 x 4.5 x 1.7 inches)

Weight: 0.2kg / 0.4lbs

Dimensions onPC & onPC PRO

Size: 160 x 145 x 50 mm

(6.3 x 5.7 x 1.9 inches)

Weight: 1.1kg / 2.3lbs

Power consumption:

Flush-mount: 1,5W/PoE

Rigging-Box: 10W/100V-230V

(Power over Ethernet, PoE enabled)



Order specification:

2Port Node, Flush-mounted, EU version

130181 2xDMX IN

130182 2xDMX OUT

130183 1xDMX IN, 1xDMX OUT

2Port Node, Flush-mounted, US version

130186 2xDMX IN

130187 2xDMX OUT

130188 1xDMX IN, 1xDMX OUT

2Port Node, onPC, 512 Parameter, Rigging-Box, EU version (metric)

130191 2xDMX IN

130192 2xDMX OUT

130193 1xDMX IN, 1xDMX OUT

2Port Node, onPC, 512 Parameter, Rigging-Box, US version (inch)

130196 2xDMX IN

130197 2xDMX OUT

130198 1xDMX IN, 1xDMX OUT

2Port Node, onPC PRO, 1.024 Parameter, Rigging-Box, EU version (metric)

130171 2xDMX IN

130172 2xDMX OUT

130173 1xDMX IN, 1xDMX OUT

2Port Node, onPC PRO, 1.024 Parameter, Rigging-Box, US version (inch)

130176 2xDMX IN

130177 2xDMX OUT

130178 1xDMX IN, 1xDMX OUT

Advanced Features

- DMX output on MA-Net
- DMX input on MA-Net
- Art-Net mode
- easy configuration with grandMA consoles and grandMA onPC
- number of 2Port Nodes only limited by IP-address range
- MA 2Port Node onPC outputs one universe of DMX in combination with onPC
- MA 2Port Node onPC PRO gives you two universes of DMX in combination with onPC
- Rigg-mount version is prepared for safety ring and Truss-coupler as an EU or US –version (metric/inch)
- all 2Port Nodes are PoE (Power over Ethernet) enabled

Detailed Software Features

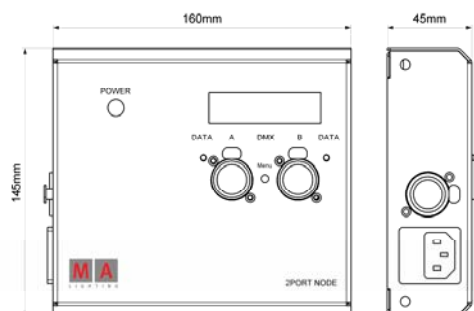
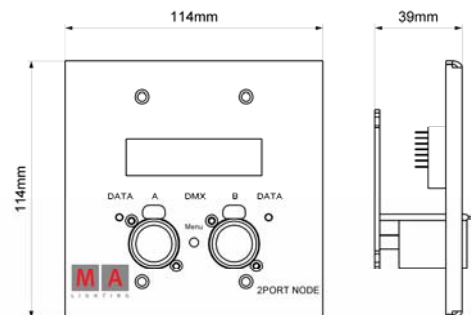
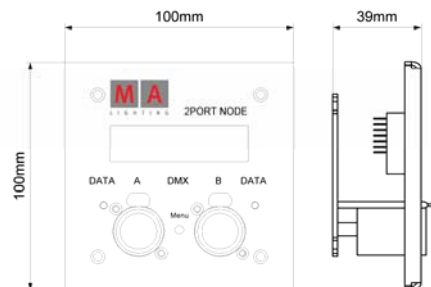
The MA 2Port Node is the most flexible way of DMX output in a permanent installation. With its unique features of Realtime DMX output this will be the easiest way of DMX distribution. The flush-mounted version is a passive member of the MA-Net and gives you an interface to the “network” by transforming MA-Net to DMX or vice versa. The Rig-mounted touring version will do the same, but in combination with onPC it will give you one or two DMX universes – that’s why we call it “My first grandMA”. This feature allows everybody to use onPC for smaller installations (e.g. exhibition booth) or smaller productions.

The Finder functionality allows the console to flash the backlight of the searched node or the other way around: From the node by a button press the entry in the console will flash.

The different hardware versions only exist in the physical output. Each in/out-put can be software configured. The Flush-mounted EU/US versions differ in the size of the front panel and the EU/US versions of the Rig-mounted touring version differ in the nut for the safety-ring and Truss-Coupler (metric/inch). Two universes (input) can be merged. Once they are configured they although can work standalone.

No Parameter Expansion

Large shows may require more control channels than a single console can handle. Instead of virtually linking the outputs of multiple consoles, grandMA offers true expansion of a single console’s parameter capacity. Up to 16,384 individual parameters in both 8bit and 16bit resolution are controlled and displayed on a single grandMA console, with a maximum of 64 discrete DMX universes on the network. When configured in parameter expansion mode, the master console functions as a terminal interface: communicating and displaying locally – while all controlled parameters are processed externally by Network Signal Processors (NSPs). The MA 2Port Node will not be for Parameter Expansion! It only gives more flexible inputs or outputs of DMX.



MA Lighting International GmbH
An der Talle 24-28
33102 Paderborn
Germany

Phone +49 5251 688865-10
Fax +49 5251 688865-88